

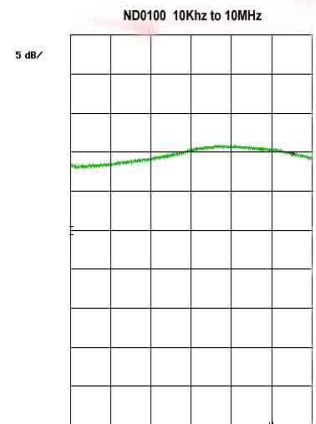
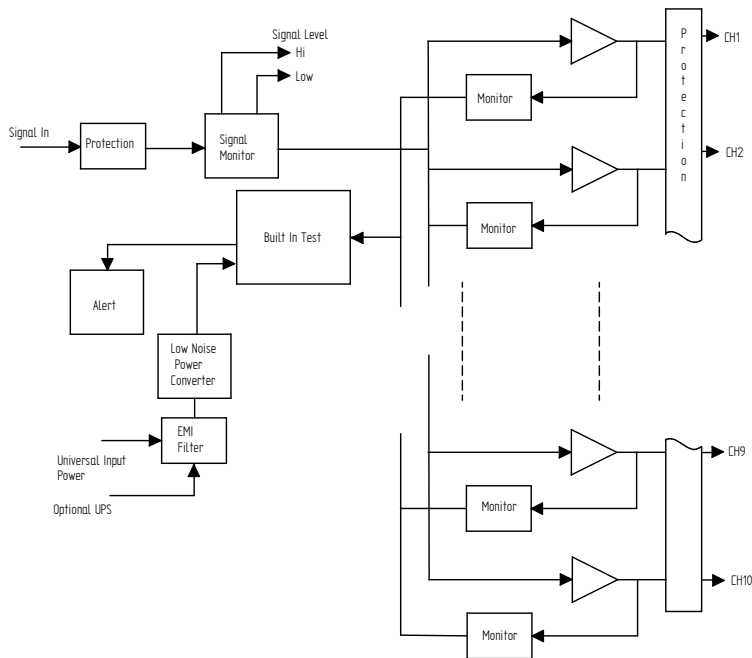
COMPANY DATA SHEET	ND0100-R
REVISION	K
DATE	6/19/19

## ND0100-R

### Reference Distribution Amplifier 5MHz, 10MHz



### KEY FEATURES



### Long Life

Component parts are operated well below maximum stress levels (typically 50% or less) to achieve long life. Calculated MTBF per MIL-STD 217F over 200,000 hrs.

The ND0100-r is a 10 channel amplifier that operates from 20KHz to 10MHz with a maximum input of 1.5 Vrms. Gain adjusts to  $\sim \pm 2\text{dB}$  to allow compensation for system variation. The product, while a very versatile amplifier, is well suited as a frequency reference amplifier. All outputs are monitored for faults and channel status indicated on the front panel. All outputs and inputs are protected from ESD and fault protected. To manage noise and power dissipation, a unique blend of high efficiency power conversion followed by wide bandwidth linear regulators is used. The result is high efficiency to allow a fan-less design and low noise contribution typical of linear regulators. Input signal levels are monitored and HI/ LOW indicators are on the front panel. The unit has extensive built-in-test (BIT). The BIT monitors the power supplies and other critical signals. If a parameter becomes out-of-tolerance, the status relay will open and an indicator on the front panel will illuminate.

COMPANY DATA SHEET	ND0100-R
REVISION	K
DATE	6/19/19

## Technical Specifications

Bandwidth	20KHz to 10MHz $\pm 2$ db, 1.5 Vrms Max. adjust = $\sim \pm 2$ dB	HB
	Note- for reference applications, BW is limited to reduce noise	
Typical Phase Noise	-145dBc/Hz @ 10 Hz, -150dBc/Hz @ 1 KHz	
Channel Status, System	10 channel status, system status	
Rear Panel Connectors	10 output, Signal-in and system status BNC, AC power-in	
HI, Low Indicators	Hi $\approx 1.8$ Vrms, Low $\approx .4$ Vrms	
Harmonics	< -30dB	
Impedance	50 Ohm	
AC input	90 to 250 VAC, 50/60Hz, IEC 320-C14	
Alert	20VDCVAC, 0.5 amp relay contacts - relay closed for normal condition.	

## Environmental and Mechanical

Operating Temperature	0 to 50°C non-condensing	
Storage Temperature	-40 to 70°C	
Height	1RU (~1.73)	
Width	19.0"	
Depth	12.0"	
Weight	$\approx 5.5$ lbs.	
AC Input	90 to 250 VAC, 50/60Hz, less than 10 watts	

## Options

600 Ohm impedance	Changes input/output impedance to 600 Ohms	16

This document is copyright © June 19, 2019 Novus Power Products LLC. All rights reserved. This document is provided for information purposes only; contents are subject to change without notice. It is not warranted to be error-free, nor subject to any other warranties or conditions including implied warranties and conditions of merchantability or fitness for a particular purpose.