

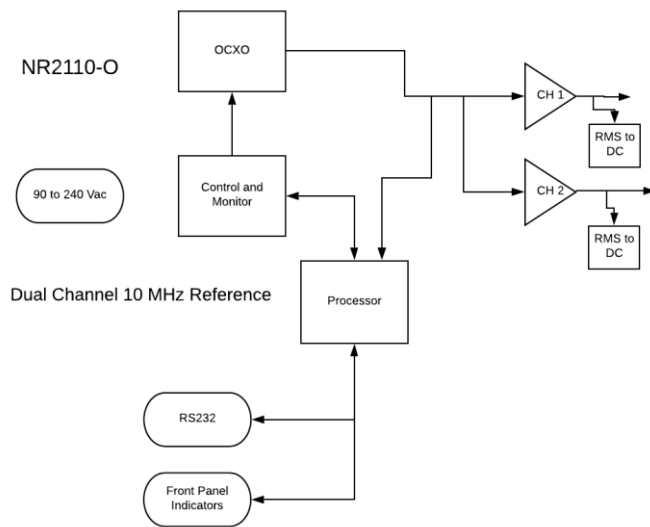
COMPANY DATA SHEET	NR2110-O
REVISION	G
DATE	05142020

## NR2110-O

### 10MHz Frequency Reference, OCXO, Dual Channel



#### KEY FEATURES



#### Product Highlights

Stability  $<\pm 50$  ppb/year

#### Low Phase Noise- 10 MHz Sine

Offset Frequency (Hz)	Typical (dBc / Hz)
10	-125
100	-145
1K	-150
10K	-151

The NR2110 is a 10 MHz precision OCXO reference. Excellent aging is achieved through the use of an intrinsically low jitter overtone SC cut crystal placed in a thermostatically controlled oven. Low phase noise is achieved by the inherent characteristics of the crystal and appropriate design techniques.

COMPANY DATA SHEET	NR2110-O
REVISION	G
DATE	05142020

## Technical Specifications

10MHz Sine	1.0 Vrms $\pm$ 0.1, 50 Ohm – BNC
Harmonics	Less than -30dB
First Year Frequency Stability	$\pm$ 50 ppb (long-term stability effectively cancelled by auto-cal)
Temp Stability	$\pm$ 10 ppb
Daily Aging OCXO	$\pm$ 5 ppb/day
Yearly Aging	$\pm$ 30ppb
Ship Accuracy	$\pm$ 15ppb (10 MHz $\pm$ 0.15 Hz)
Alert	Status indicator and relay contacts via rear panel BNC
Power Requirements	90 to 264 VAC, 50/60Hz

## Environmental and Mechanical

Operating Temperature	0 to 50°C non-condensing (extended temperature range available)
Storage Temperature	-40 to 85°C
Height	1.73" (1 RU)
Width	19.0"
Depth	10.0"
Weight	~5 lbs.



This document is copyright © May 14, 2020 Novus Power Products LLC. All rights reserved. This document is provided for information purposes only; contents are subject to change without notice. It is not warranted to be error-free, nor subject to any other warranties or conditions including implied warranties and conditions of merchantability or fitness for a particular purpose.