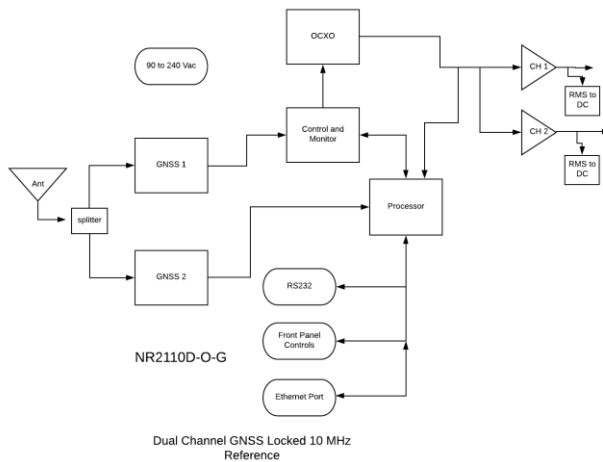


Company Datasheet #	NR2110D-O-G
Revision #:	A
Date:	050420

NR2110D-O-G

10MHz Dual Channel GNSS Locked Reference with Networking



Networking

SNMP

Phase Noise

Offset Frequency (Hz)	Typical (dBc / Hz)
10	-120
100	-145
1K	-145
10k	-150

All channels are monitored for a fault condition and built in test monitors critical circuits which drives panel indicators as well as alarm relay that can be wired into an alarm panel. Dual time base option independently monitors frequency.

GNSS receiver	GPS L1 C/A, GLONASS L1OF, QZSS L1 C/A, SBAS L1 C/A (Ready): Galileo E1B/E1C, QZSS L1S
Channels	26 channels (GPS, GLONASS, QZSS, SBAS)
Sensitivity	
GPS	Tracking: -161 dBm
	Hot Start: -161 dBm
	Warm Start: -147 dBm
	Cold Start: -147 dBm
	Reacquisition: -161 dBm
GLONASS	
	Tracking: -157 dBm
	Hot Start: -157 dBm
	Warm Start: -143 dBm
	Cold Start: -143 dBm
	Reacquisition: -157 dBm
	With Novus recommended antenna
Antenna with LNA	
Antenna power	3.5 Vdc, < 35 ma (on center conductor) (factory configurable to 5 Vdc)
Frequency	1574-1607 MHz
Nominal Gain	2 dBic
Amplifier gain	26 dB
Noise Figure	< 2.0 dB
Out of Band rejection	Fo±50MHz=60 dBc, Fo±60 MHz
DC current	<25 ma@3.5 Vdc

Environmental and Mechanical

Operating temperature	0 to 50C non-condensing
Storage temperature	-40 to 70C
Height	1RU (~1.73)
Width	19 inch
Depth	12 inch
AC input	90 to 250 VAC, 50/60hz, less than 10 watts
Weight	≈5.5lbs

This document is copyright © May 4, 2020 Novus Power Products LLC. All rights reserved. This document is provided for information purposes only; contents are subject to change without notice. It is not warranted to be error-free, nor subject to any other warranties or conditions including implied warranties and conditions of merchantability or fitness for a particular purpose.