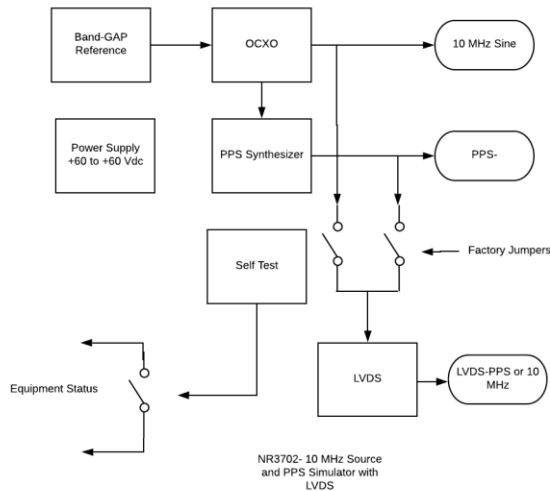


Company Datasheet #	NR3702-O
Revision #:	A
Date:	3/12/19

NR3702-O

10MHz Frequency Reference and PPS Simulator with LVDS Output, Mini Chassis

KEY FEATURES



The heart of the unit is a low phase noise SC cut crystal. The OCO is a SC (stress compensated) crystal placed in an oven that is operated at ~10C above the maximum specified temperature. The SC cut has more than a five times improvement in thermal stability and a much lower mechanical sensitivity than an AT cut crystal. There is built-in-test that drives an LED and relay contacts for system integration. The unit also has a synchronous synthesizer to create the PPS with low jitter. There is a LVDS transmitter that can be configured at the factory to output either the 10 MHz or the PPS. The NR3702-O is nominally powered from 12 VDC but can operate from -60 to +60 VDC in three power ranges (range specified at ordering). There is also an AC power adapter available. Compact package of 4" x 1.2 "x 2.75" (3.5" with mounting flanges).

Product Highlights



Oven Stabilized Crystal

The OCO provides temperature stability of 10 ppb. First year aging stability of 50ppb.

Typical Phase Noise

Offset (Hz)	dBc / Hz
10	-104
100	-135
1K	-145
10K	-149

Lower phase noise options available.

Low Cost

Compact size lowers cost.

Frequency Divider Option

Built in synchronous divider provides low jitter PPS simulation.

Company Datasheet #	NR3702-O
Revision #:	A
Date:	3/12/19

Technical specifications

Output	10 MHz, 0.4 ±0.1 Vrms, into 50 Ohms or LVDS if optioned
Ship frequency accuracy	±10 ppb (24 hours)
First year frequency stability	±50 ppb (other stability options available)
Temp stability	±10 ppb
Power requirements	Standard configuration is 12 VDC (9 to 15 VDC) Options- ±24VDC (20 to 30 VDC), ±48 VDC (40 to 60 VDC) AC Adapter available 100 to 240VAC, 50/60Hz Power 5 W peak during warm-up, 3W normal operating (special crystals may require different power). Power isolation exceeds 200 VAC
Connectors	4-pin power con - power in, status relay connector- Digikey 277-2418-ND (mate provided with unit) For AC adapter use: the adapter comes with a threaded connector
LVDS	Available on three terminal header with connector for a twisted pair implementation or as a Tri-Axial BNC on the front panel.
Status relay	Relay is closed for normal operation- floating solid state relay 20 Vdc, 100 ma
PPS	5 vdc LVCMOS levels into 50 Ohm from 3 pin header or LVDS on header or tri axial BNC. Factory programmable pulse width.

Environmental and Mechanical

Operating temperature	0 to 50C non-condensing (extended temperature range available)
Storage temperature	-40 to 70C
Width	3.5" (with flange)
Depth	4" (exclusive of connectors)
Height	1.2"
Weight	~8 oz



Company Datasheet #	NR3702-O
Revision #:	A
Date:	3/12/19

This document is copyright © March 13, 2019 Novus Power Products LLC. All rights reserved. This document is provided for information purposes only; contents are subject to change without notice. It is not warranted to be error-free, nor subject to any other warranties or conditions including implied warranties and conditions of merchantability or fitness for a particular purpose.