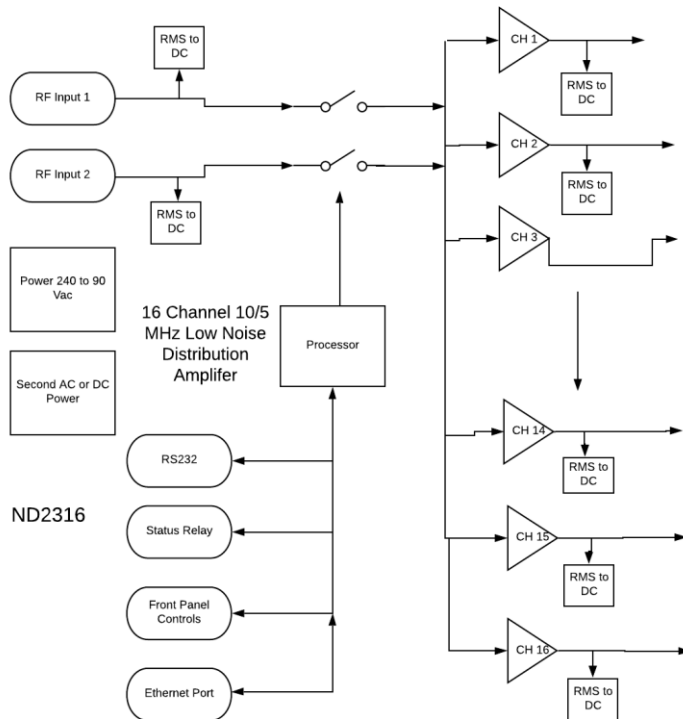


Company Datasheet #	ND2316D-R
Revision #:	A
Date:	091420

# ND2316D-R

## 16 Channel 10/5 MHz Distribution Amplifier Networking Capability



### Networking

SNMP option

### Low Channel Skewing

Channel skewing below 5 ns

### Low Phase Noise

ND2320D-R	
Typical Phase Noise	
Offset	Phase Noise
1 Hz	-120
10 Hz	-140
100 Hz	-145
1kHz	-150

### Dual Source

Dual sources inputs and unit selects valid input

All channels are monitored for a fault condition and built in test monitors critical circuits which drives panel indicators as well as alarm relay that can be wired into an alarm panel. Dual source inputs, unit measures input amplitude .

Company Datasheet #	ND2316D-R
Revision #:	A
Date:	091420

## Technical Specifications

<b>Output</b>	200mv to 1.1 Vrms 5 MHz or 10 MHz (factory configurable)
Connectors	Available BNC or SMA
<b>Remote interface &amp; control</b>	
Protocol	RS232 NMEA-0183
Connector	DB-9
Location	Rear panel
Protocol	Bit plus stop
Standard Baud Rates	Selectable 4800, 9600, 19200, 38400, 57600 or 115200 bps
<b>SNMP (option)</b>	
Remote monitoring & control	Internet
Parameters monitored Locally – present on remote interface for monitoring	Output amplitude, all power supplies, Built-In test status,
Transaction/decodable commands	English format
Single monitoring command	Updated every second
Connector	RJ-45
<b>Front Panel Display</b>	Four line display, output status, input pulse amplitude and pulse width
<b>Phase Noise</b>	
	-120dBc @ 1 Hz
	-140dBc @ 10 Hz
	-145dBc @ 100 Hz
	-150dBc @ 1000 Hz
<b>Input</b>	
	10 or 5 MHz factory configurable 50 Ohms
	0.200 to 1.1 Vrms
	SMA or BNC

Company Datasheet #	ND2316D-R
Revision #:	A
Date:	091420

<b>Remote interface &amp; control</b>		
Protocol	RS232 NMEA-0183	
Connector	DB-9	
Location	Rear panel	
Protocol	Bit plus stop	
Standard Baud Rates	Selectable 4800, 9600, 19200, 38400, 57600 or 115200 bps	
<b>Power</b>		
AC	Global AC power 90 to 250 VAC, 50/60hz, less than 10 watts	
DC	Optional DC power – primary or back-up	

### Environmental and Mechanical

Operating temperature	0 to 50C non-condensing	
Storage temperature	-40 to 70C	
Height	1RU (~1.73)	
<b>Width</b>	19 inch	
Depth	12 inch	
AC input	90 to 250 VAC, 50/60hz, less than 10 watts (DC power options available)	
<b>Weight</b>	≈5.5lbs	

This document is copyright © September 14, 2020 Novus Power Products LLC. All rights reserved. This document is provided for information purposes only; contents are subject to change without notice. It is not warranted to be error-free, nor subject to any other warranties or conditions including implied warranties and conditions of merchantability or fitness for a particular purpose.