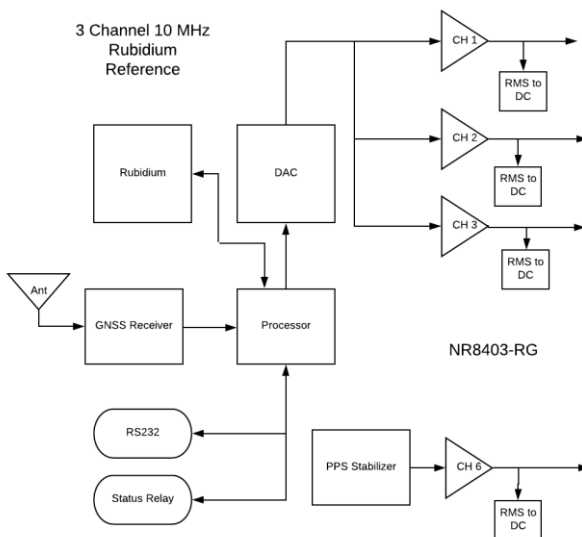


DATA SHEET NUMBER	NR8403-R
REVISION	A
DATE	041922

NR8403-R

Three Channel Rubidium Reference



Rubidium Based Reference

Aging $\leq \pm 5E-11$ Monthly

Phase Noise

Offset Frequency (Hz)	Typical (dBc / Hz)
10	-95
100	-125
1K	-140
10K	-140

This reference brings exceptional stability in an economical package. There are three 10 MHz outputs plus a PPS and NMEA. External locking options allows the unit to be locked to an external PPS or 10 MHz reference. The unit is available as a 10 MHz reference or 50 MHz.

DATA SHEET NUMBER	NR8403-R
REVISION	A
DATE	041922

Output	10 MHz, 0.4 Vrms \pm 0.1, into 50 Ohms	
Accuracy at Shipment	< \pm 5E-9	
Locked	<1 E-11	
Harmonic Distortion	< -30 dBc	
Power	DC options and AC power adapter available- < 15 W start, < 10 W steady state	
Alert	20Vdc/Vac, 0.1 Amp relay contacts- relay closed for normal condition, BNC	
Warm-up time	<15 minutes	
Time of lock	<5 min -130 dBm	
Rubidium Atomic		
Accuracy at shipment	+/-5.0E-11	
Warm-up time	<15 minutes	
Time of lock	<5 min -130 dBm	
Time to achieve accuracy	< \pm 1E-9<20 minutes	
Aging - monthly	< \pm 5E-11	
Retrace	< \pm 1E-10 after 1 hour	
SSB Phase noise for 10Mhz		
	Standard	Low Noise Option
10Hz	< -95	<-110dBc
100Hz	<-125	<150dBc
1000Hz	<-140	<-155dBc
10000Hz	<-145	<-160dBc
Harmonic	<40dBc	
Non-Harmonic	<-80dBc	
Simulated PPS		
Amplitude for 1PPS	3.3 Vdc CMOS (5 Vdc option)	
Pulse width for 1PPS	Programmable 1 to 500ms in 1 ms steps	
Rise time for 1PPS	<5 ns (faster edge available)	
Connector	BNC	
Load Impedance	50 Ohm	
Location	rear	



DATA SHEET NUMBER	NR8403-R
REVISION	A
DATE	041922

Remote interface & control	
Protocol	RS232 NMEA-0183
Connector	DB-9
Location	Rear panel
Protocol	Bit plus stop
Standard Baud Rates	Selectable 4800, 9600, 19200, 38400, 57600 or 115200 bps
Main Power	
DC input	-60 to +60 in three ranges
Power	<6 W (steady state < 10 W)
Warranty	1 year

Environmental and Mechanical

Operating Temperature	0 to 50°C non-condensing
Storage Temperature	-40 to 70°C
Height	1.58"
Width	6"
Depth	6" exclusive of connectors
Weight	1.5 lbs

This document is copyright © April 19, 2022 Novus Power Products LLC. All rights reserved. This document is provided for information purposes only; contents are subject to change without notice. It is not warranted to be error-free, nor subject to any other warranties or conditions including implied warranties and conditions of merchantability or fitness for a particular purpose.